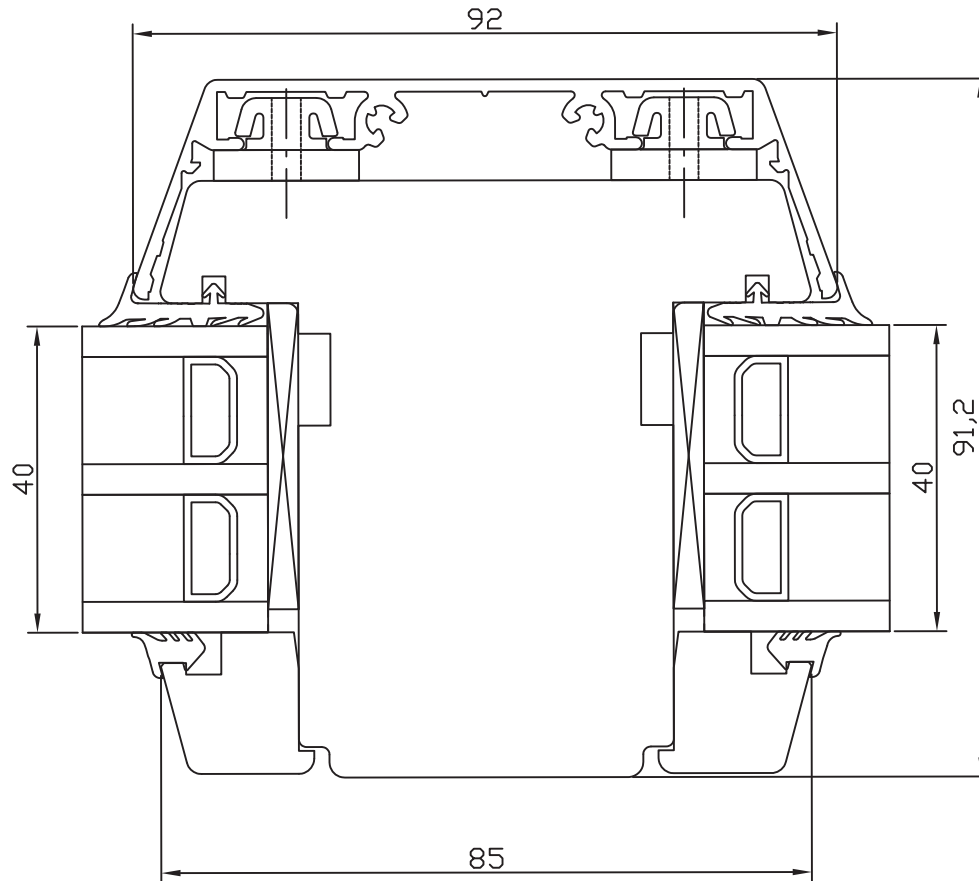
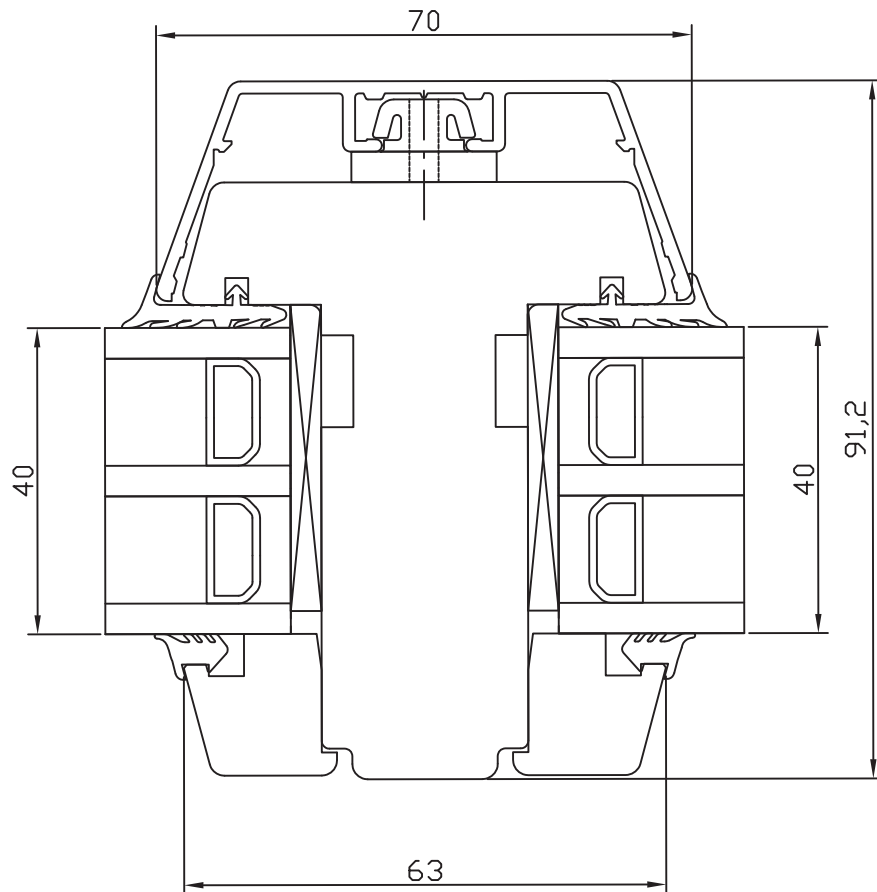
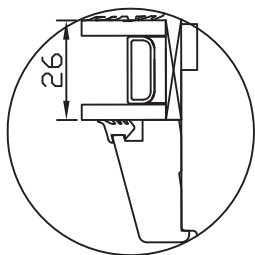


drawing subject to change without notice



DOUBLE GLAZED
1:2



NORRSKEN 

5 The Axium Centre
Dorchester Road
Poole
Dorset
BH16 6FE
UK

NORRSKEN INWARD OPENING ALU-CLAD
DOUBLE GLAZED WINDOW

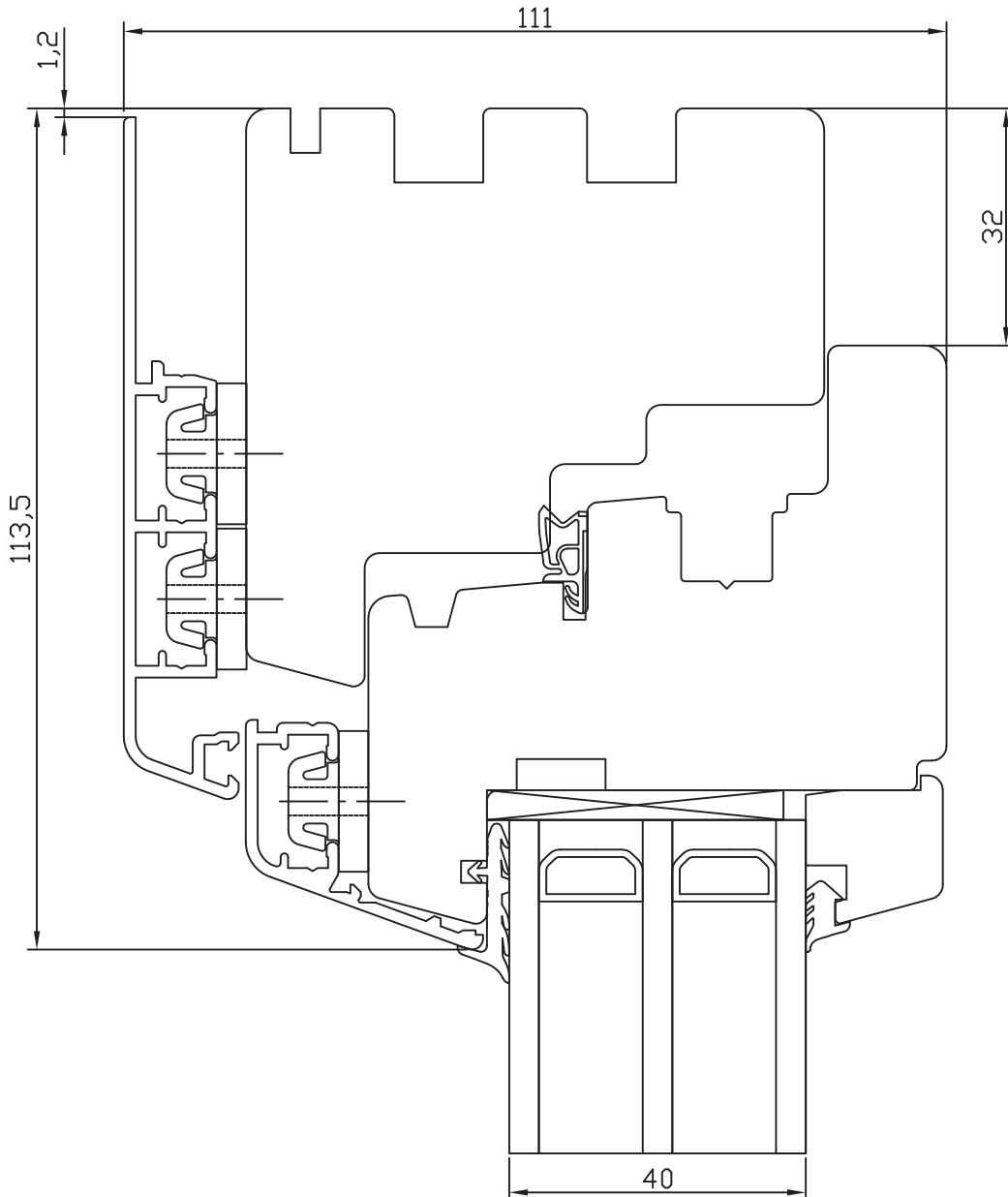
CROSS SECTION OF GLAZING BARS

Drawing Number

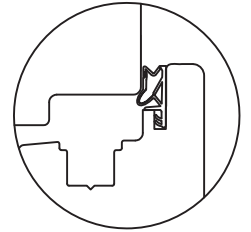
IOACDG.1

Scale

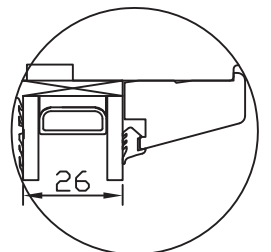
1:1



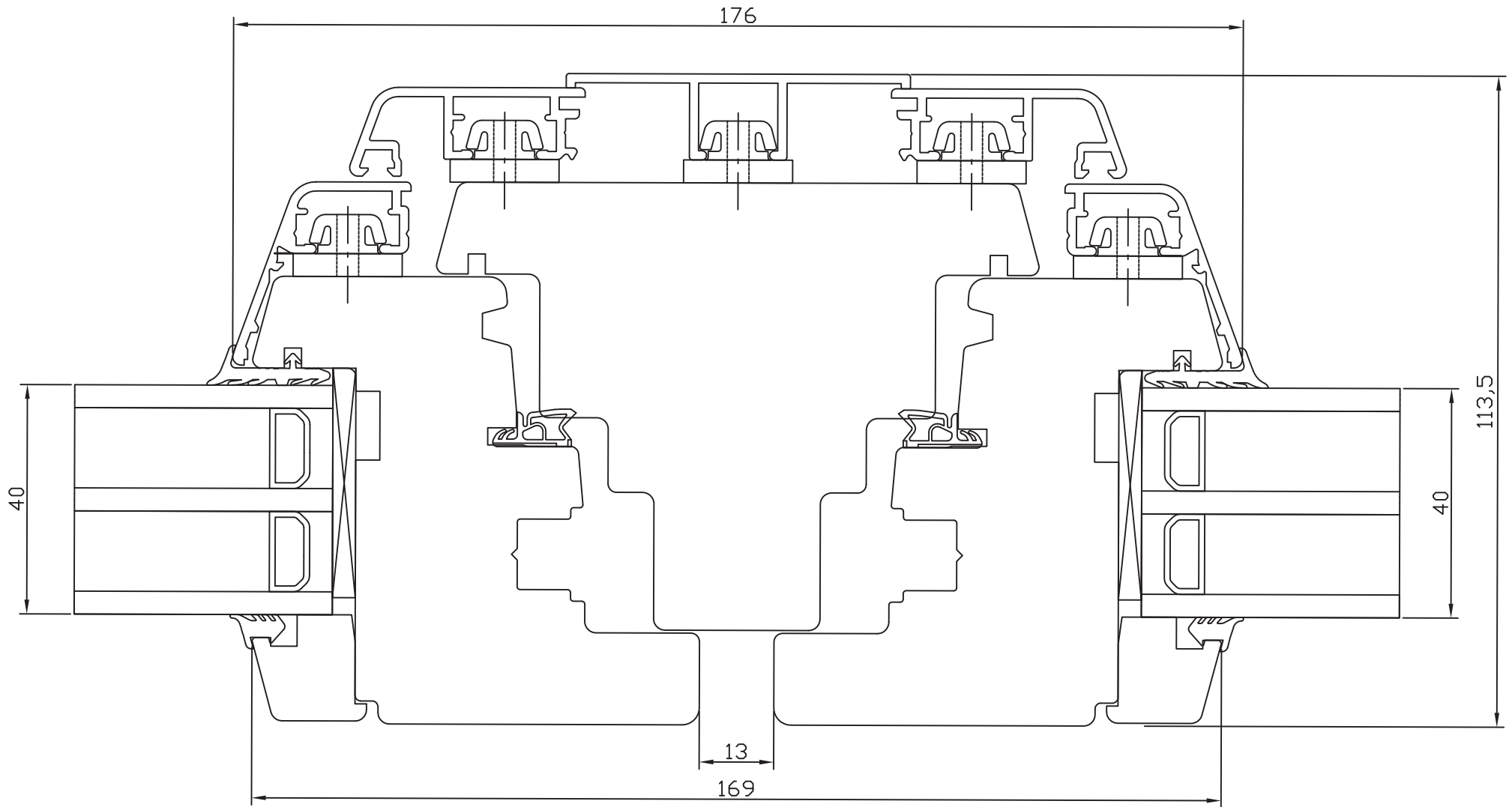
1:2
SECONDARY GASKET



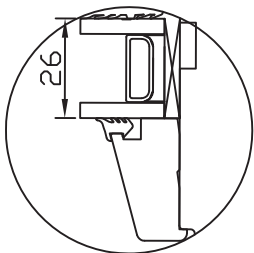
DOUBLE GLAZED
1:2



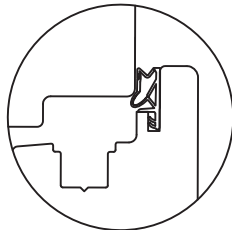
drawing subject to change without notice



DOUBLE GLAZED
1:2



1:2
SECONDARY GASKET



NORRSKEN 

5 The Axium Centre
Dorchester Road
Poole
Dorset
BH16 6FE
UK

NORRSKEN INWARD OPENING ALU-CLAD
DOUBLE GLAZED WINDOW

CROSS SECTION OF MULLION

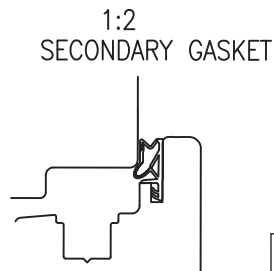
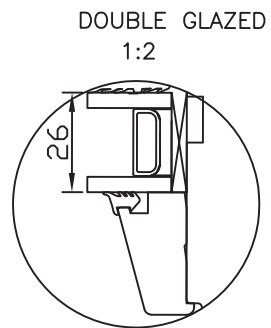
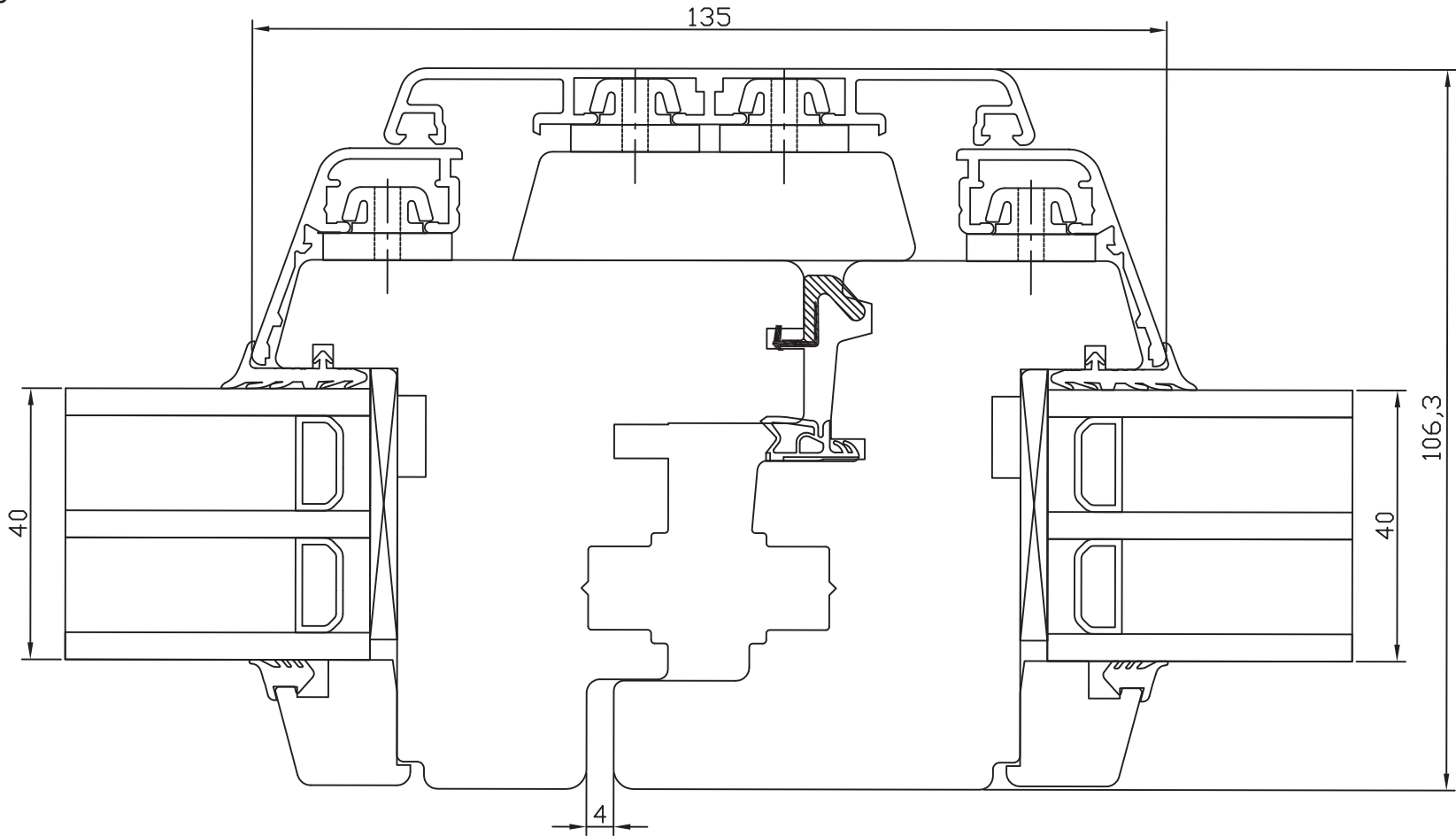
Drawing Number

IOACDG.3

Scale

1:1

drawing subject to change without notice



NORRSKEN 

5 The Axium Centre
Dorchester Road
Poole
Dorset
BH16 6FE
UK

NORRSKEN INWARD OPENING ALU-CLAD
DOUBLE GLAZED WINDOW

CROSS SECTION OF REBATED DOUBLE
CASEMENT

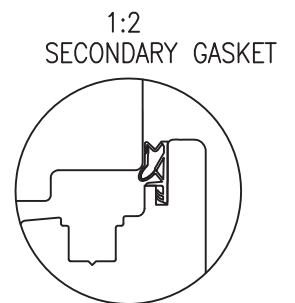
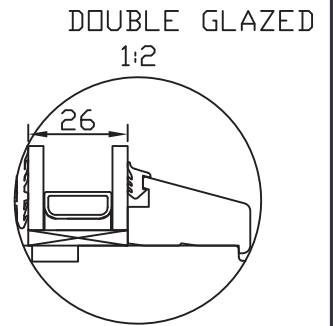
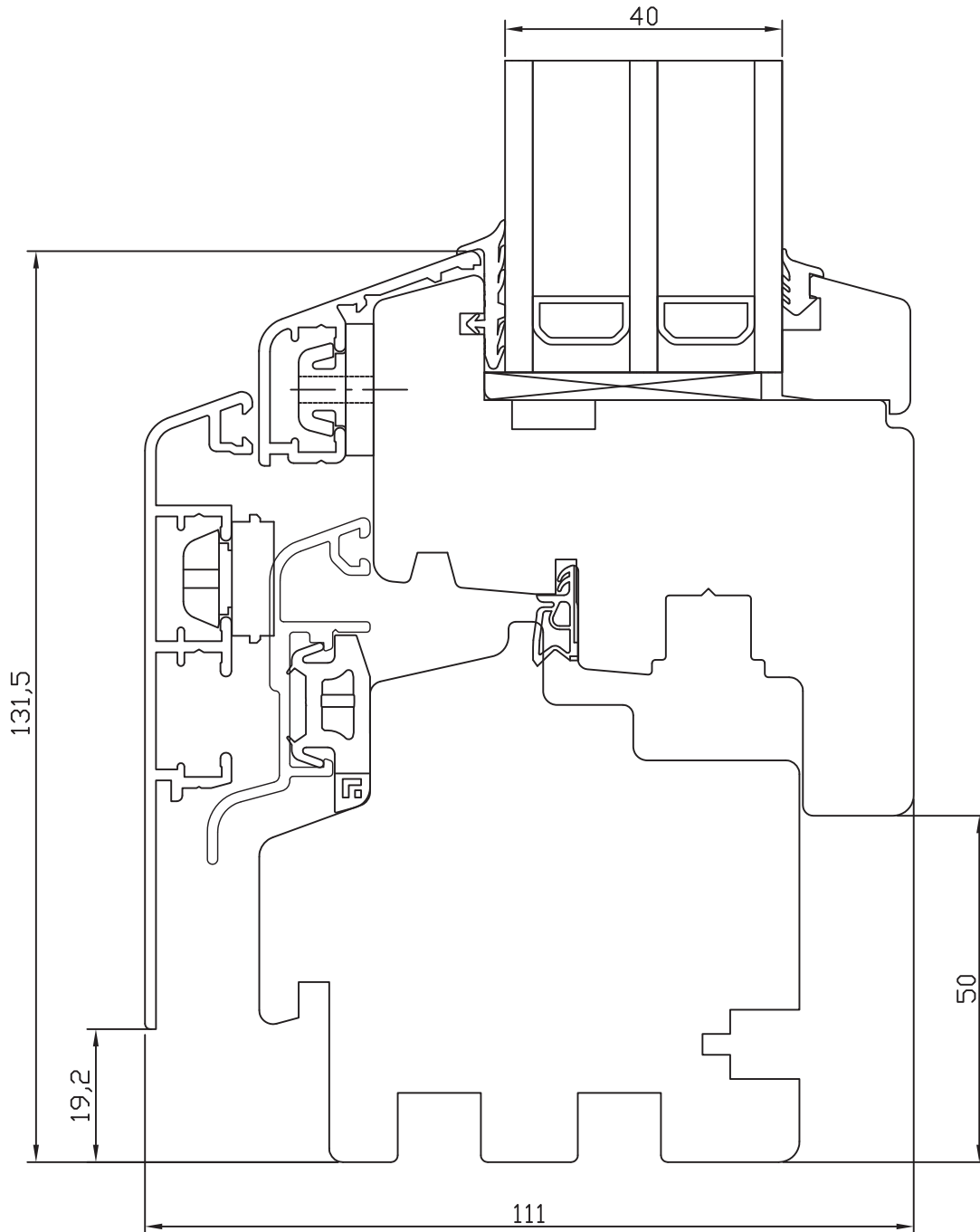
Drawing Number

IOACDG.4

Scale

1:1

CROSS SECTION OF SILL



CROSS SECTION OF TRANSOM

